

J-PLUG WATCH

High security watch solution. One size fits all



ONE SIZE FITS ALL

Secure a large range of devices without the need of custom stands/ claws and charging sensors. The high security J-Plug Watch works with any size device and any strap releasing mechanism.



OEM CHARGER

Compatible with devices using OEM connectors and OEM charging cradles.



J-PLUG WATCH

High security solution with complimentary styling.



J-PLUG ALARM CORE

Alarm solution for devices with Micro USB connection.





ELEGANT FORM

Elegant design that does not cover the face of the device. Premium design to complement high value wearables. J-Plug Watch perfectly angles the device towards the customers, inviting them to indulge in an un-obstructed experience.





- A WATCH STAND**
High security for all wearable devices.
- B EASY ABOVE COUNTER RE-MERCHANDISING**
Works using the existing Tab Stand mounting point.
- C CHARGING AND ALARM (OPTIONAL)**
Charge directly with Micro USB connection or via the product's charging cradle.
- D 98dB SIREN & LED**
Built in siren and LED lights act as a physical presence to deter thefts.



INSTALLATION OPTIONS

J-Plug Watch stand can be installed with any OEM power supply including charging cradle and Wireless refer to **OPTION 1**. For charge and alarm using J-Plug Alarm Core refer to **OPTION 2**.

OPTION 1	PART NUMBER	NAME	DESCRIPTION
	JSD-105-A-Y	J-Plug Watch	Fixed watch solution.
	APT-100-A-Y	Tetrakey	Security tool for J-Plug range.
	APT-125-A-Y	Mounting Kit Tab (optional)	Plastic mounting plate, M6 wing nut and washer.

OPTION 2	PART NUMBER	NAME	DESCRIPTION
	JSD-105-A-Y	J-Plug Watch	Fixed watch solution.
	APT-100-A-Y	Tetrakey	Security tool for J-Plug range.
	APT-125-A-Y	Mounting Kit Tab	Plastic mounting plate, M6 wing nut and washer.
	JAC-101-A-Y ○ JAC-100-A-Y ●	J-Plug Alarm Core	Alarm and Charge solution Recoiler cable Micro USB.
	APW-109-A-Y	USB Cable 1.5M	1.5M long USB cable. USB-A to Micro usb.
	UK: APW-100-A-Y EU: APW-101-A-Y US: APW-103-A-Y AS: APW-122-A-Y	2WAY Adaptor	2 way USB adaptor 3.7A. 5V. 1.85A per port.
	APT-130-A-Y	Mounting Kit Puck (optional)	2 x M5 threaded lugs, washers and wing nuts



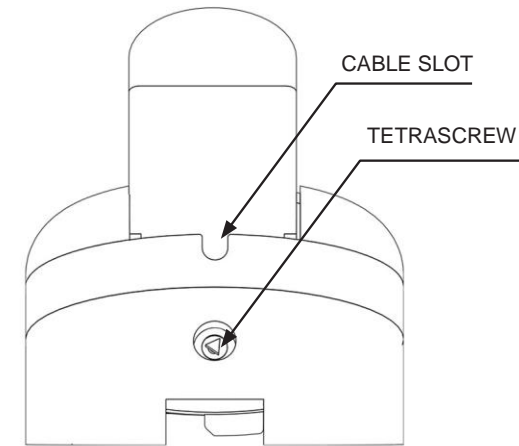
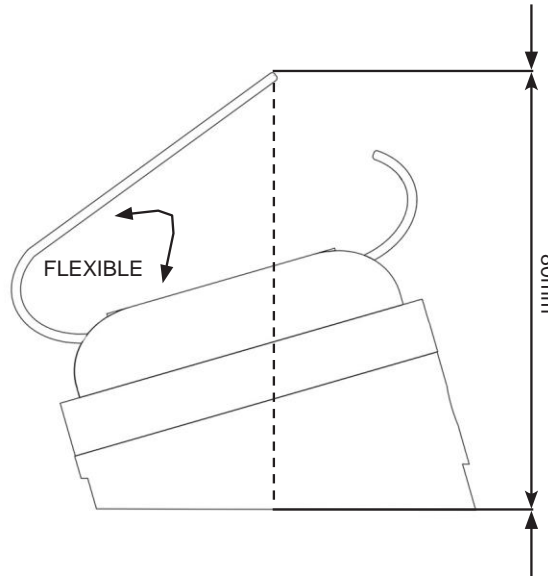
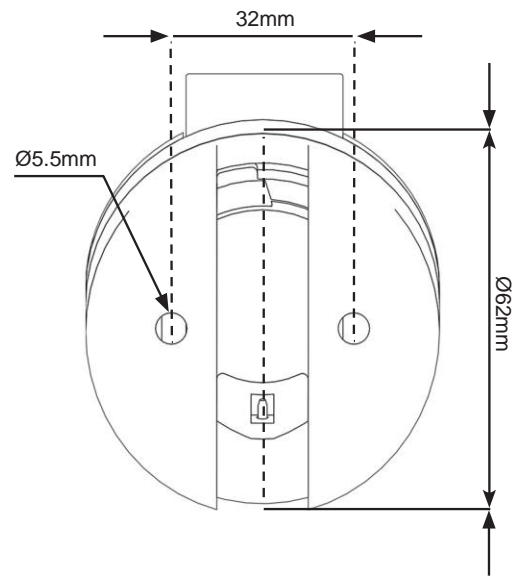
J-PLUG WATCH PARTS

PART NUMBER	NAME	DESCRIPTION	QTY PER PACK
JSD-105-A-Y	J-Plug Watch	Fixed watch solution.	1
APT-100-A-Y	Tetrakey	Security tool for J-Plug range.	1
AAP-117-A-Y	Watch Strap Adhesive	Adhesive pack for watch strap and back face.	10
AAP-118-A-Y	Watch ODM Adhesive	Adhesive Adhesive pack for ODM charging unit.	10
AAP-111-A-Y	Tab Stand Adhesive	Adhesive spare pack for the J-Plug Tab stand.	5
APT-132-A-Y	Cable Tie Kit	Cable tie pack for watch strap.	20
APT-125-A-Y	Mounting Kit - Tab	Plastic mounting plate, M6 wing nut and washer.	2x M5 Screws, washers and wing nut.
JAC-101-A-Y ○ JAC-100-A-Y ●	J-Plug Alarm Core	Alarm and Charge solution Recoiler cable Micro USB.	1
APW-109-A-Y	USB Cable 1.5M	1.5M long USB cable. USB-A to Micro usb.	1
APW-100-A-Y UK APW-101-A-Y EU APW-103-A-Y US APW-122-A-Y AS	2WAY Adaptor	2 way USB adaptor 3.7A. 5V. 1.85A per port.	1
APT-130-A-Y	Mounting Kit -Puck	M5 threaded lugs, washers and wing nuts	1x plate & M6 bar. 2x M6 wingnut, washer & M5 countersunkscrews



WATCH STAND	WIDTH	HEIGHT	DEPTH
	60mm	80mm	80mm

PACKAGING	WIDTH	HEIGHT	DEPTH
	90mm	90mm	90mm





**SALES SWITZERLAND
PROTEMA-INSTORE GmbH**

Lindenstrasse 2

CH-6340 Baar

Telephone: +41 (0) 720 17 78

Email: info@protema-instore.ch

www.protema-instore.ch

