

# SENS QUATTRO

**IT'S HERE!**

---



---

SENS QUATTRO brings display security to the next level. Never ever was a retailer able to display electronic products in such a flexible, secure and efficient manner.

# SENS QUATTRO

REDEFINING ELECTRONIC DISPLAY SECURITY

---

ADJUSTABLE DISPLAY ANGLE

METAL HOUSING



Traditional display security solutions generate a loud audio alarm when a cable is cut or if a product removed illegally. The audio alarm is generated by a controller or base station at a fixed position. The result is that staff is notified that something is wrong. In case of theft they often won't know where the missing product has gone. Not seldom a stolen product is lost forever.

---

# SENS QUATTRO

## SELF ALARMING SENSOR (SAS)

---

SENS QUATTRO is different. The self-alarming sensor generates an alarm when a product is tampered with or cable is cut. The alarming sensor can easily be traced within a store. This makes it simple to recover a product. As shoplifters don't like to walk around with alarming products, theft attempts will also reduce significantly.

Changing positions of displayed merchandise is remarkable easy. From cameras to tablets or smartphones is a matter of minutes as result of the *Quick Release* mechanism.

---



SELF ALARMING SENSOR

360° SENSOR



QUICK RELEASE

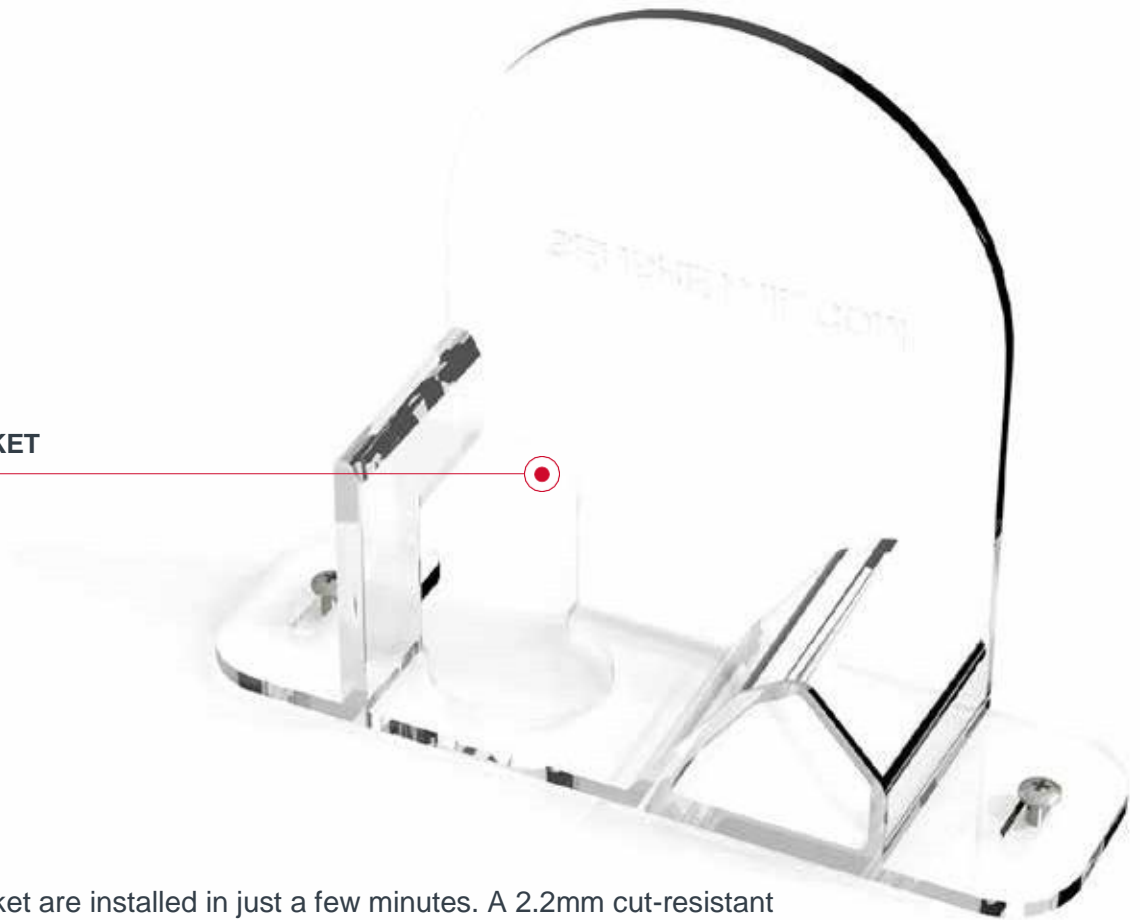
REINFORCED STEEL CABLE

# SENS QUATTRO

**INSTALLED IN A FEW MINUTES**

---

## RECOILER BRACKET



The recoiler and bracket are installed in just a few minutes. A 2.2mm cut-resistant steel cable is provided with a comfortable cable length offering customers no restrictions to experiencing a displayed product. Replacing positions does not require involvement of service engineers. So no more long waiting and service bills.

---



# SENS QUATTRO

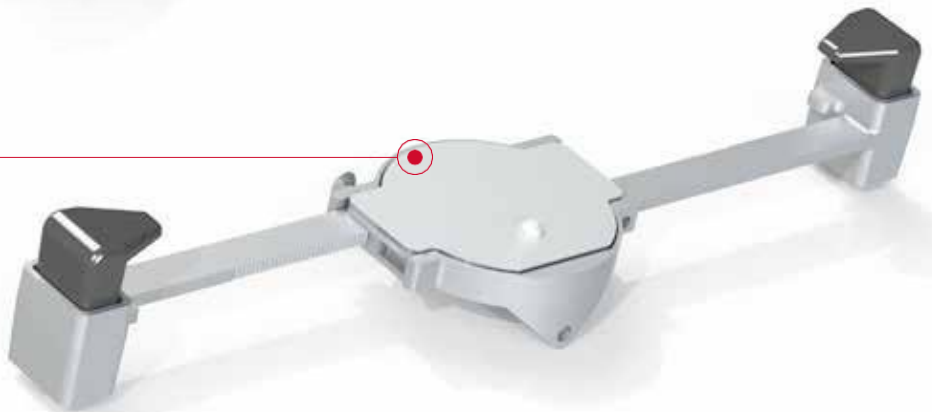
**MAXIMUM FLEXIBILITY**

---



SMARTPHONE CLAMP

TABLET CLAMP



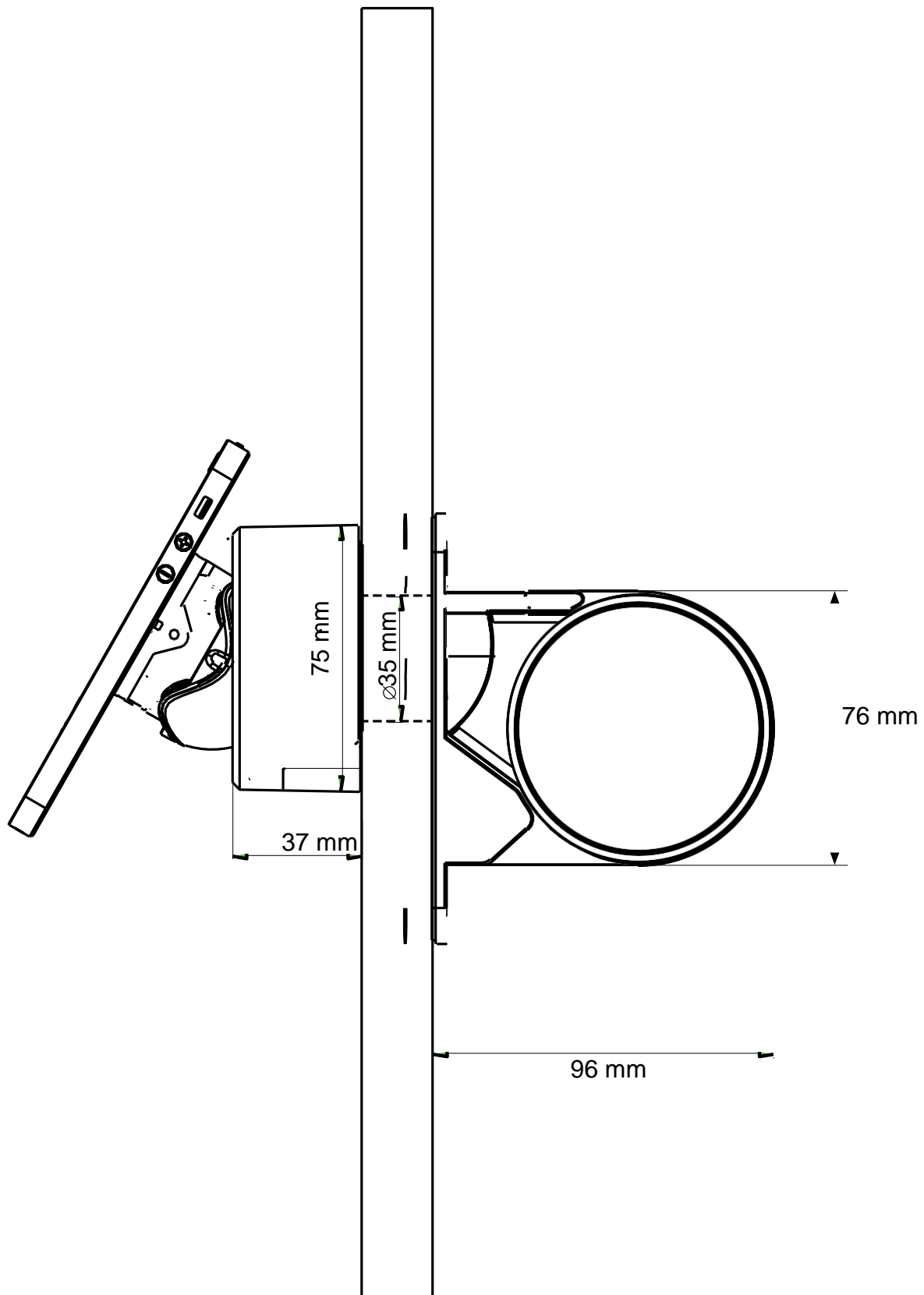
WATCH ADAPTER

CAMERA ADAPTER



# SENS QUATTRO

## DIMENSIONS



**PROTEMA INSTORE GmbH**  
Lindenstrasse 2  
CH-6340 Baar

Phone: +41 (0) 44 720 17 78  
[info@protema-instore.ch](mailto:info@protema-instore.ch)  
[www.protema-instore.ch](http://www.protema-instore.ch)